



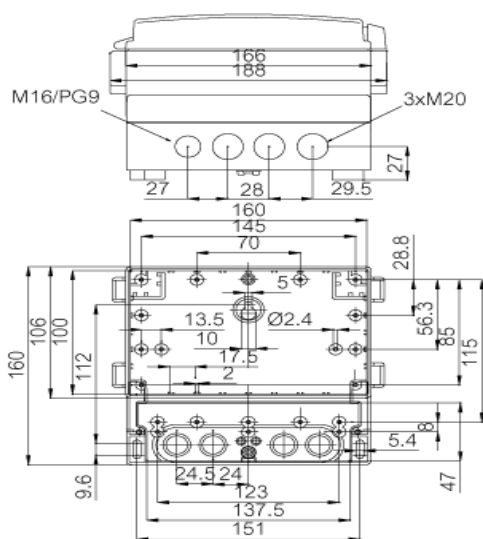
+46-90-3493310
www.pipeguard.se
info@pipeguard.se

Pipeguard



4-channel Pipeguard Industrial capsule IP67

Width: 188, depth: 160, height: 135
 Mounted on level surface with screw



Specification

Measure range

AC-resistance 0-10 Mohm
 Loop resistance 0-100 ohm
 Galvanic voltage 0-1000 mV@1Mohm

Alarm carrier

Carrier GSM/GPRS integrated in module

Section length

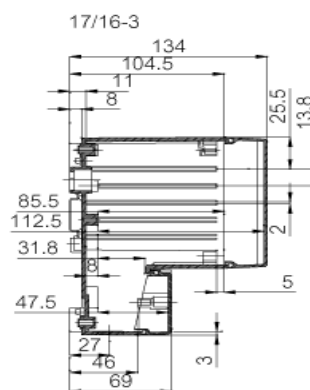
Pipe 4 x 2000 m
 (4 x 4000 m alarm wire)

Power supply

Voltage 10-30 Volt
 Current 500 mA (nom. 50 mA)
 Battery pack. (option)

I/O

Alarm input 2 normally closed/open
 Led indication



Quality product

Advanced transient/lightning surge protection.
 Electronic parts is divided in three separate parts that will ensure long life time combined with low power consumption and possibility to power with battery.



Programming

The unit is programmed with USB connection to PC. Very flexible programming with possibilities to set time, SMS and GPRS receivers, triggers on external inputs and many more functionality.

Order information

Article	Article number
Pipeguard	PG1104
AC_adapter	AC-adapter 15Vdc/500mA
Battery pack	PG1104-B

PG Monitoring System AB
 Glimmervägen 7E
 907 40 Umeå
 Telephone: 090-3493310
 Telefax: 090-3493319

