

PRODUCT SHEET

Small flexible measure unit for shorter sections



+46-90-3493310
www.pipeguard.se
info@pipeguard.se

microPG



2-channel Pipeguard Industrial capsule IP67

Width: 140, depth: 85, height: 65
Mount on level surface with screw

Specification

Measure range

AC-resistance 0-10000 K ohm
Loop resistance 0-100 ohm
Galvanic voltage 0-1000 mV@1Mohm

Alarm carrier

Carrier GSM/GPRS integrated in module

Section length

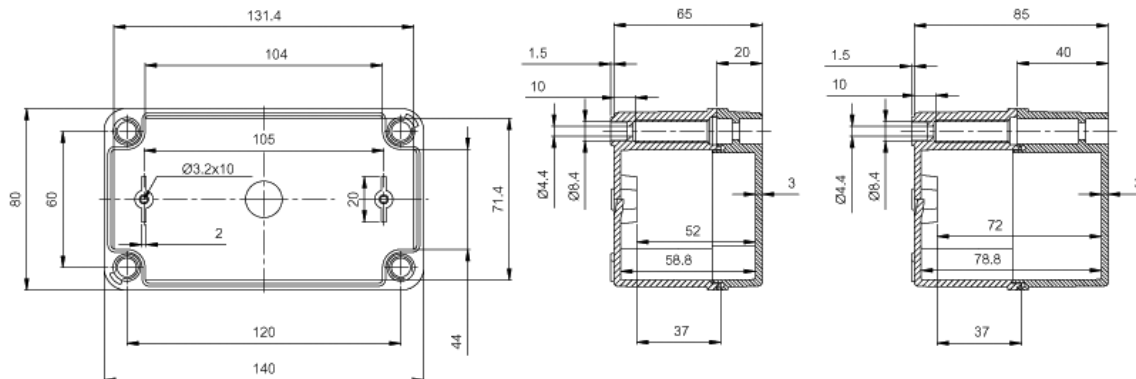
Pipe 2 x 3000 m
(2 x 6000 m alarm wire)

Power supply

Voltage 10-30 Volt (14,4 Volt)
Current 500 mA (nom. 50 mA)
Battery set (option)

I/O

Alarm input Normally closed/open
Alarm output 48V / 200 mA
Led indication



Quality product

Advanced transient/lightning strike surge protection that will secure long ensure long life combined with low current consumption and possibility to power with battery.



Programming

MicroPG is programmed with USB connection to PC. Very flexible programming With possibility to set time, SMS and GPRS alarm receivers, external triggers and many more options.

Order information

Article	Article number
MicroPG	microPG-2102
AC_adapter	AC-adapter 15VDC/500mA
Battery pack	micro Pg-2102-B

PG Monitoring system AB
Glimmervägen 7E
907 40 Umeå
Telephone: +46 90-3493310
Telefax: +46 90-3493319

